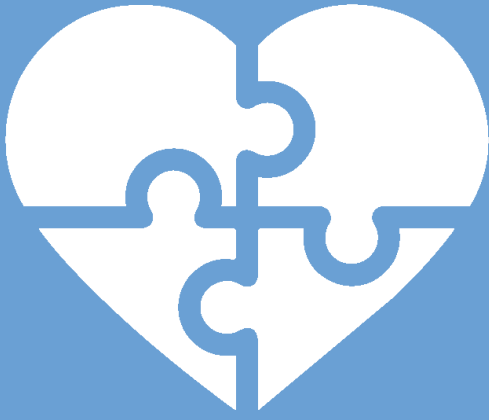


ACES FOR AUTISM

Doctors Office
Learning Lab



www.acesforautismnc.com



ACES FOR AUTISM

learning labs

Activities that are deemed routine by most people, like haircuts and trips to the grocery store, can feel insurmountable to people with autism. It is with this in mind that the new Aces for Autism Clinic will feature simulated environments known as “Learning Labs” to help integrate these types of activities into the lives of children and young adults with autism.

The learning labs will be near-exact replicas of your neighborhood grocery store, dentist office, doctor’s office, barber shop and apartment/living space. Socialization and academic learning are critical parts of the education of children and young adults with autism, but nothing matches the actual simulation of events and experiences that they will face out in the world.

The learning labs will offer these children and young adults the most realistic opportunity to overcome their sensory challenges in real environments in the safety of a space that is supervised by qualified staff and caring friends. The ultimate goal is that these children overcome their challenges and are able to sit successfully for a nice haircut, endure some time in the dental chair, and even shop their own groceries and set up their own apartment space. The Learning Labs offer real life training at it’s best and they’ll be a critical part of the growth of all clients that visit the Aces for Autism Clinic.



Dental Office
Learning Lab



Doctor’s Office
Learning Lab



Food Lion
Learning Lab



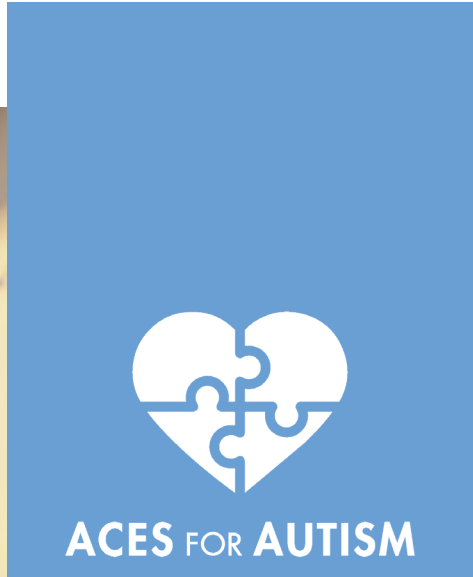
Barber Shop
Learning Lab



Residential
Learning Lab

Lab Street

Learning Lab



Lab Street

Learning Lab

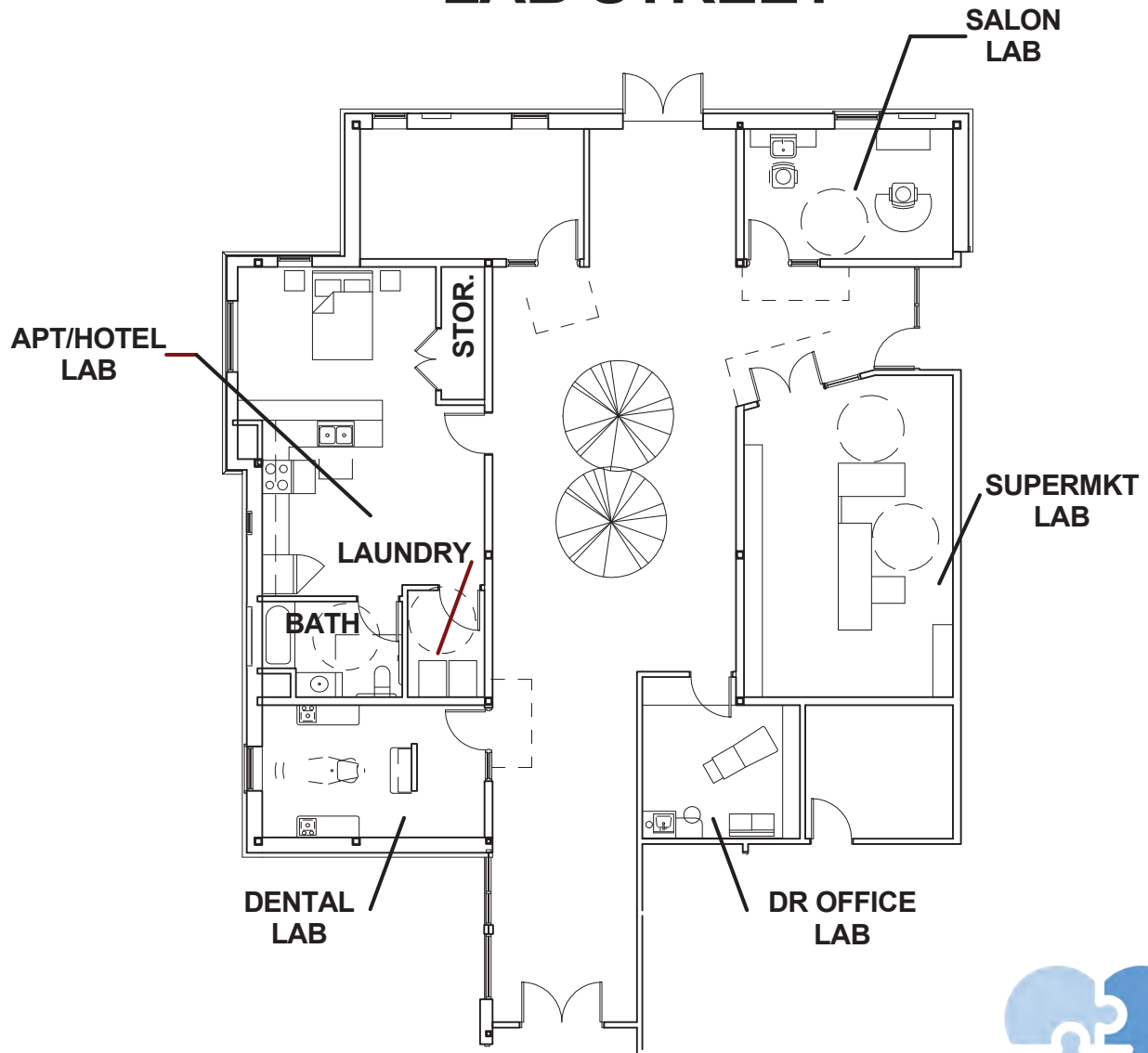


Lab Street

Learning Lab



LAB STREET

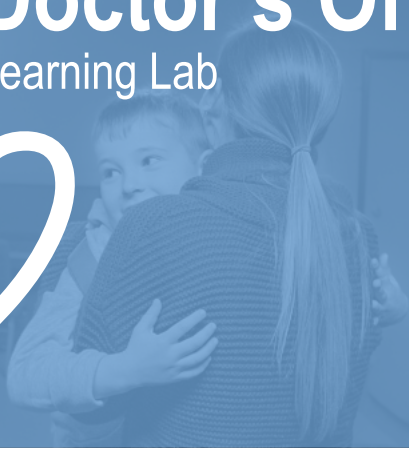


ACES FOR AUTISM



Doctor's Office

Learning Lab



THE DOCTOR'S OFFICE LAB WILL GIVE CHILDREN WITH AUTISM THE OPPORTUNITY TO EASE INTO A VISIT TO THE DOCTOR AT A PACE COMFORTABLE FOR THEM.

UNFAMILIAR

Common themes children with autism experience at a doctor's office is unfamiliarity, unpredictability and physical invasiveness.



COMFORTABLE

The Doctor's Office Lab will give children the opportunity to experience a visit to the doctor's office at a pace comfortable for them.



EXPERIMENT

They can experiment with the tools and equipment, see the bright lights, listen to the rolling chairs and sit on crinkly paper!



GOAL:

Physical well-being is a major component of emotional and psychological well-being and our hope is that the Doctor's Office Lab will equip our clients with the skills and comfort level to go to the doctor without issue.

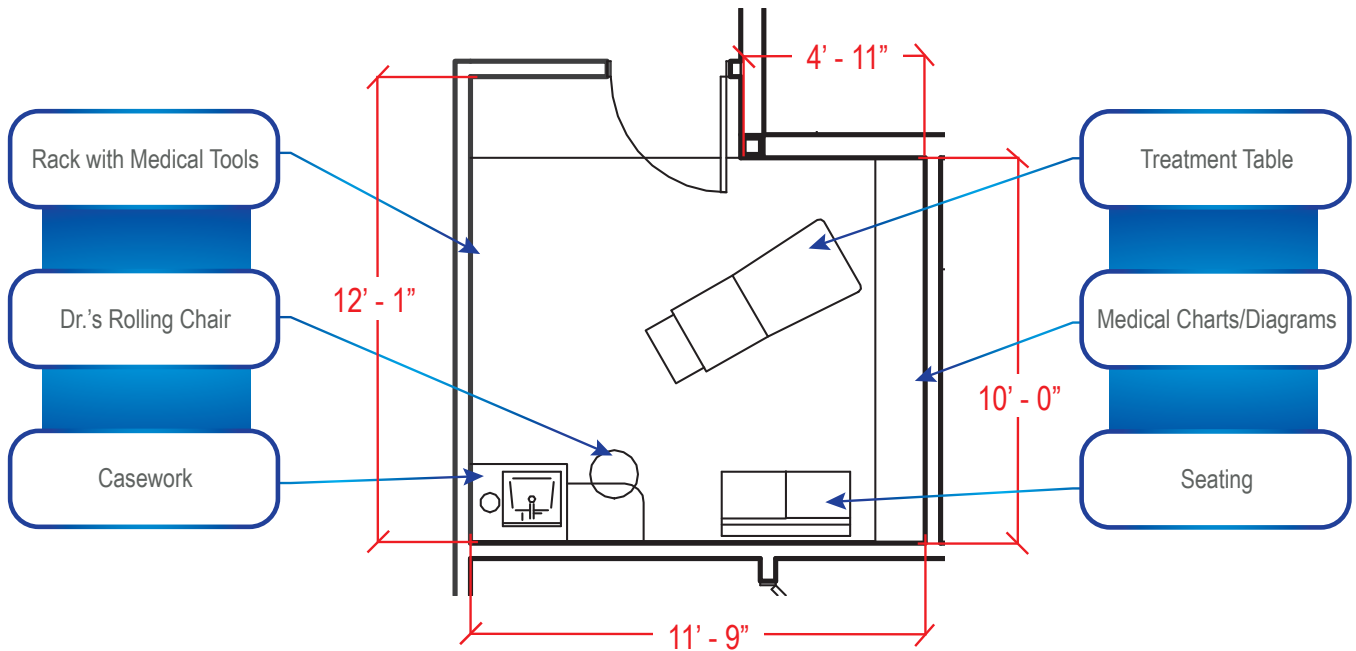


Doctor's Office

Learning Lab



DR OFFICE LAB



ACES FOR AUTISM